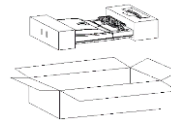


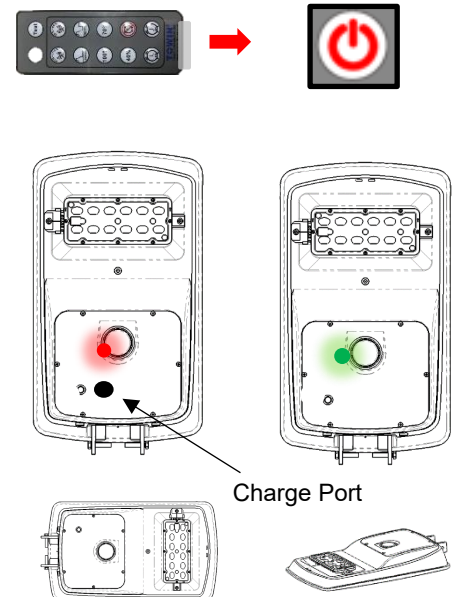
Outdoor Series INSTALLATION MANUAL RP-SAL-8W-50K-SF-GY-G1, RP-SAL-30W-50K-SF-GY-G1

MODEL	WATT	LUMEN	NET WEIGHT	DIMMING
RP-SAL-8W-50K-SF-GY-G1	8W	1600LM	18 lbs.	Use the remote control to adjust
RP-SAL-30W-50K-SF-GY-G1	30W	6000LM	39 lbs.	Use the remote control to adjust

Instructions:



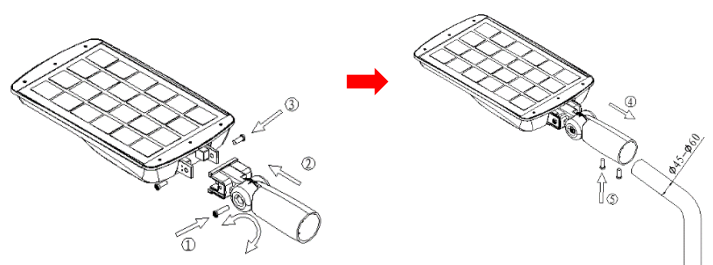
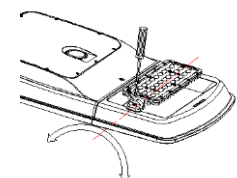
1. Take out the fixture and the tools from the package.
2. Remove the small plastic on the bottom of the remote
3. Cover up the solar panel (you can use the package to cover up the solar panel entirely or flip the fixture, so the solar panel is facing the ground) and check if the light module turns on once power is pressed on the remote. When the light is on, a green light will be displayed either flashing or still, depending on its charge state. If the fixture does not turn on, please charge it with the included charger before installing, as the battery may need to charge. **For the light to charge, it needs to be ON and under sunlight or connected to the 12V charger, plugged into an outlet. Please wait a few minutes with the light under the sun and then press the power button on the remote. If charging by the charger, you can click power on the remote right away. Make sure the red light is blinking which indicates that it is on and charging properly. If your light has a button on the bottom of the housing, make sure that it is pressed in all the way and then turn on the remote power button to begin charging under the sun. Do not install the light up on the pole until it is working.**



4. Use the remote control to power up and set up the necessary mode. The light module will flash twice when it receives the signal from remote control (The default setting is motion sensor mode 40%-100%). Please refer to page 2 for the different mode options. Pay special attention to your local sunshine and refer to the Best Practices Solar Guide for additional understanding. The document can be found here under the documents section and inside the box: <https://www.led-llc.com/sal>



5. Using the dedicated tool to assemble the light body and the mounting accessories, adjust the light fixture and LED module to the suitable angle.
6. Install the light to the round pole, square pole or wall, tighten the screws and the nuts when fixed



Red indicator: 

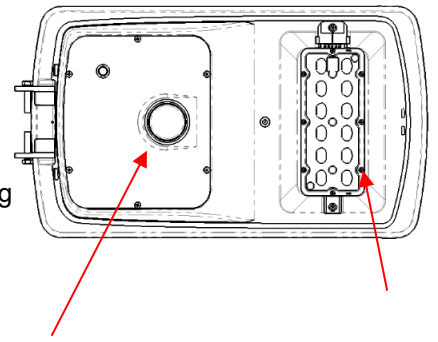
1. When charging, the red light will be flashing slowly
2. When fully charged, the red light will stay lit
3. When the red light is blinking fast, this indicates that the battery is not charging

Green indicator: 

1. Battery power more than 10%, the green light will stay lit
2. Battery power less than 10%, the green light will flash slowly

Introduction of Remote-Control button

Note: Remote control included.



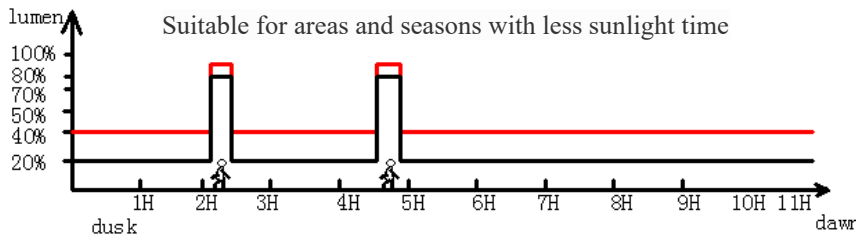
Red and green indicator Light-Emitting Module
Microwave and PIR receiver


Mode switching indication of remote control:


The light module will flash twice when the light fixture receives the signal from remote control

Motion Sensing

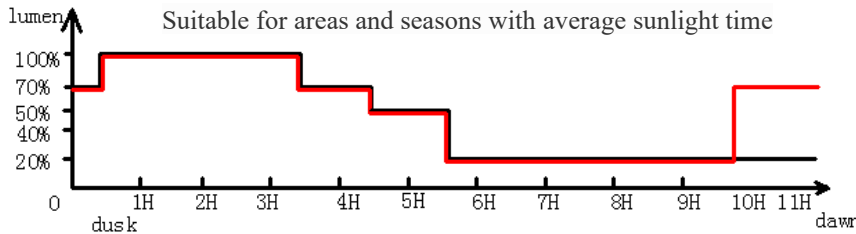
Mode





 Light last 35 hours

 Light last 55 hours

Time Control Mode

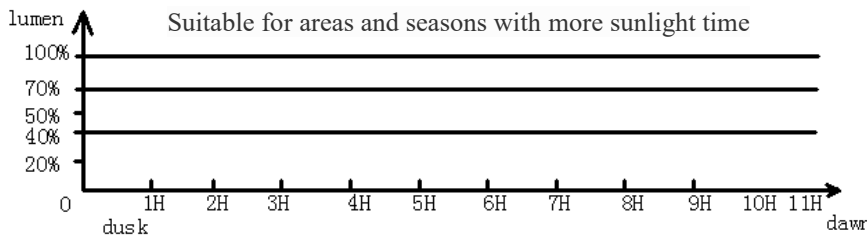



 Light last 28 hours


 Light last 25 hours


Constant Brightness

Mode



 Light last 12 hours

 Light last 20 hours

 Light last 35 hours



ON/ OFF Working/Standby Key



*****Test mode:** Please do not select this button, if you do it will reset the mode you selected to default (40%-100% motion when sensed, and you will need to select the mode you had selected before to set right).


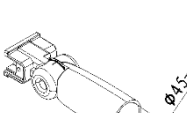
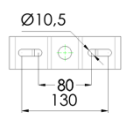
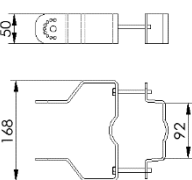
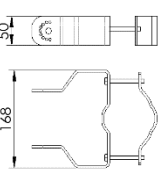
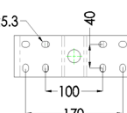
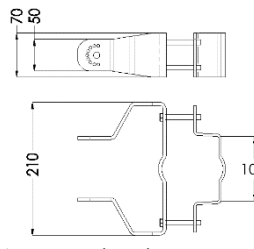
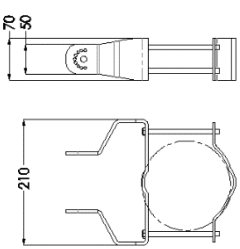


Select the 4 hr option or 8 hr option to set to a predetermined run time instead of running from dusk til dawn. **These buttons only apply to the constant brightness mode.**



Cancels preset time modes that were selected, either 4 or 8 hrs. If no hour mode is selected, it will try and run from dusk 'til dawn at the constant level selected.

Installation Accessories:

Item	Fixed arm mounting	Slip fitter mounting	U-Trunnion mounting	Square-Hoop Mounting	Round -Hoop Mounting
8W Solar Streetlight			 <p>1. Wall mounted 2. Square pole above 3.94 in</p>	 <p>1. Round pole: 1.96 in - 3.54 in 2. Square pole: 1.96 in - 3.54 in</p>	 <p>Round pole: 1.96 in - 4.33 in</p>
30W Solar Streetlight	1.77 – 2.36 in	1.77 – 2.36 in	 <p>Wall mount or Square pole wider than 4.75 in</p>	 <p>1. Round pole: 2.36 in - 3.94 in or Square pole: 1.97 in - 3.94 in</p>	 <p>Round pole: 1.97 in - 4.72 in</p>

EPA RATING 8W=1.824 30W=4.788

Warning and Attention:

1. The average sunshine in the installation area should be above 3.5h/day in order to ensure full function of the lighting fixture.
2. Before installation, please ensure the light pole foundation is solid enough to withstand lighting fixture.
3. Position the lighting fixture to optimize its exposure to sunlight. Always face the equator (solar panel to face south if in northern hemisphere for example when possible).
4. In order to allow self-cleaning, please have a minimum angle of 10-15 degrees.
5. For best results, install on a day with full sunlight. If the battery is totally dead, please allow the battery to charge under sun or with the charger before programming it accordingly. (Please remove small plastic from remote)
6. Adjust the angle of the fixture to optimize its exposure to sunlight. Adjust the LED module angle toward the area to be illuminated.
7. The fixture is on once the power button on the remote is pressed and aimed at the fixture. Please make sure the panel is installed under direct sunlight. The red light should be flashing, indicating that it is charging. You can also hit the test button on the remote to ensure that it is on and will receive 2 flashes back from the LED light.
8. Select the necessary operation mode with the remote control. Please refer to page 2 for further information. Note: **The remote has a range of 25ft**
9. Use the dedicated tool to disassemble the anti-theft screws. **Note: Dedicated tool is included in the box of each lamp.**

-
10. The lighting fixture will automatically turn on at night and turn off during daylight.
11. Please select the right operating mode according to the local legislation needs and the local sunshine conditions.

Modes:

Motion Sensor Mode, Time Control Mode, and Constant Brightness Mode (See page 2 for details on mode options)

12. The battery of the LEDSAL solar streetlight fixture will stop charging when the ambient temperature is below 32°F or above 149°F. The working temperature of the solar fixture is -4°F (-20°C) to +122°F (+50°C). When operating in an environment with a temperature lower than 32°F (0°C) or equal to or above 149°F (65°C) the battery will stop charging, even if there is sunlight. In that temperature range the battery self protects which will show a flashing red indicator light. This feature helps protect the battery from damage. The solar area light will still light even in those extreme temperatures until the battery is completely depleted.
- 13.) The working temperature of the solar fixture is -4°F~+122°F. When operating in an environment with a temperature lower than 32°F; the battery will stop charging, even if there is sunlight, but the lighting fixture can still be discharged if you want to use.
14. When the ambient temperature is $\leq 32^{\circ}\text{F}$ or $\geq 149^{\circ}\text{F}$, the battery will turn into self-protection mode.
- a. When the battery charge is only 40%, the luminance will automatically be reduced by half.
 - b. When the green indicator begins to flicker slowly, it means that there is only 10% battery charge.
 - c. When there is only 5% battery charge, the luminaire will automatically shut down, then enter the protection state and not discharge.

Battery Replacement

In case of battery failure or end of life, loosen the screws on the battery cover, disconnect the wire connectors, replace the whole battery cover kit (including smart control system, battery, cover) , connect the wires and tighten screws.

